



Engineering Independence

TOYOTA SIENNA

FIRST-EVER WHEELCHAIR ACCESSIBLE HYBRID CONVERSION

 BraunAbility

DependAble.



The **first-ever hybrid conversion** from BraunAbility maintains an impressive 36 mpg combined fuel efficiency, both highway and city. And with an ultra-wide doorway opening and interior cabin space for the largest wheelchairs, the newest BraunAbility Toyota Sienna will be a customer-favorite for any wheelchair user.

- › Side-entry with power foldout ramp
- › Extra-wide doorway opening
- › 29.5" wide ramp, 56" doorway height
- › Spacious cabin matches previous model year Toyota conversion
- › 36 mpg - city or highway - fuel economy retained after conversion
- › Industry-proven kneeling system achieves a 9.5-degree ramp angle for easy entries and exits





ReliAble.



Throughout the **55,000 engineering hours** invested in the BraunAbility Toyota Hybrid, our team designed this conversion utilizing the same suppliers and components as Toyota to ensure design integrity from start to finish.

ComfortAble.

The BraunAbility engineering team created an experience that blends comfort and convenience without sacrificing space or style. Retaining the powerful technology of the Toyota Sienna, this conversion allows for maximum maneuverability within the spacious cabin and a comfortable riding experience for all passengers.

- › Spacious cabin matches previous model
- › Customized center console retains the comfort and tech features while maximizing space for driver and front passenger
- › Full-length, rotating footrest stows compactly with little effort
- › Industry first LED-lighting softly illuminates the cabin for easier wheelchair navigation



TOYOTA SIENNA



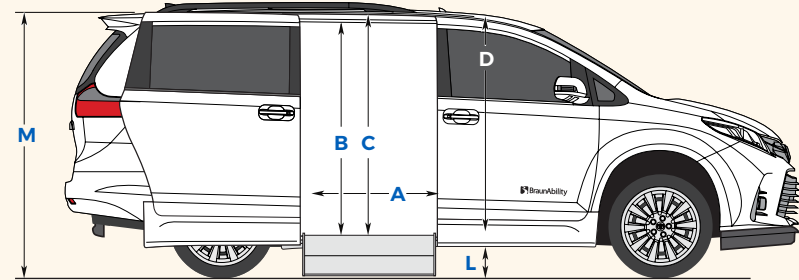
«««
DON'T JUST GET THERE. ARRIVE.

TOYOTA SIENNA

BRAUNABILITY
 BRAUNABILITY
 BRAUNABILITY
 BRAUNABILITY

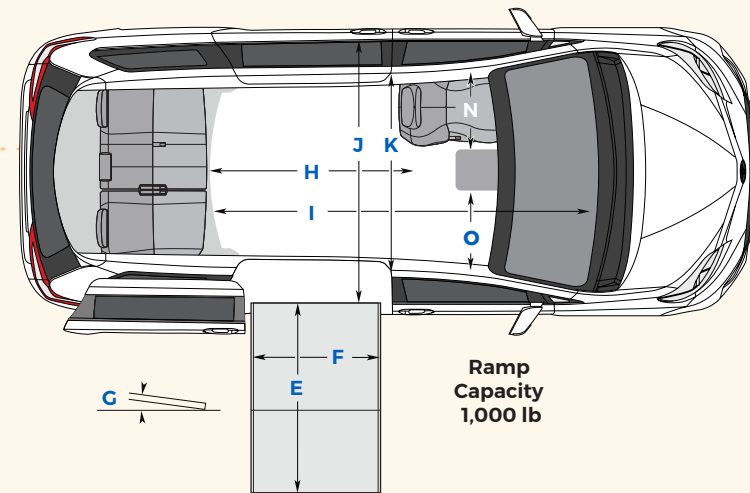
Power Foldout

BUILT ON THE TOYOTA SIENNA



DIMENSIONS

Door Opening Usable Width	A	31"
Door Opening Usable Height (at Middle of Door)	B	56"
Interior Height at Center of Vehicle*	C	60.5"
Interior Height at Driver and Passenger Position*	D	59.5"
Ramp Length	E	52"
Ramp Width (Usable Clear Opening)	F	29.25"
Ramp Angle (with Vehicle Kneeled)**	G	9°
Interior Floor Length (Behind Front Seat Strikers)	H	58"
Overall Interior Floor Length	I	89"
Interior Width at Slide Doors (Doors Closed)	J	65"
Interior Width at B Pillars	K	59"
Ground Clearance at Lowest Point (Unloaded)	L	5"
Vehicle Height (Not Including Roof Rack)	M	78"
Driver Clearance (Console to Vehicle Wall)	N	28"
Passenger Front Clearance (Console to Vehicle Wall)	O	27"



Seats up to seven passengers with an option for three wheelchairs. Seating options may vary depending on available payload.

Due to manufacturing tolerances both with the OEM vehicle and the conversion components, all dimensions may vary slightly from those shown.

* Deduct 2.5" off of interior height for applications with overhead DVD or moon roof.

** Ramp angle subject to 1.5 degree variance based on chassis trim level and other environmental factors. Measured with a 250 lb approximated wheelchair passenger load at the center of the ramp.



DON'T JUST GET THERE. ARRIVE.

Our Work Is Not Just For Individuals. We All Share Its Impact.

HALF A CENTURY OF THOUGHTFUL ENGINEERING.

BraunAbility has engineered independence to the highest standards for nearly 50 years. When considering a mobility vehicle, remember what you can't see matters. A solid foundation with no shortcuts - that's the BraunAbility way.

Industry's Only Fully Stainless Steel Exhaust System

Prevents rust and corrosion. Secured and reinforced for function and service. Protected and mounted as far from the ground as possible for less exposure to everyday impacts.

Custom-Made Fuel Lines and Hoses

New lines made to fit the wheelchair accessible floor with mating connections to fit the original manufacturer's vehicle. Designed for maximum safety and performance over the total life of your vehicle.

State-of-the-Art Brake Line System

New brake lines and fittings installed and properly routed for corrosion prevention and reliability.

New Wiring and Connectors

No stretching or retrofitting wires and no cutting corners. New Tier One sourced wiring harness with factory-original connectors.

Industry-Leading Safety Standards

BraunAbility is #1 in Safety - the most certified wheelchair accessible vehicle manufacturer in the industry!

Every BraunAbility vehicle is required to pass each of the following tests to ensure our customers' safety: FMVSS 208. Occupant Crash Protection, FMVSS 301: Fuel System Integrity, FMVSS 214: Side Impact Protection.



*Based on Dealer Service Technician Study

DON'T JUST GET THERE. ARRIVE.



The Most Trusted Brand in Mobility.



BY BraunAbility

BraunAbility is ranked #1 in quality, value and service* in the mobility industry. That's why the professionals at the forefront of helping our customers recommend our product.

- › Mobility service technicians choose BraunAbility 8:1 over the next closest competitor as the brand they would buy for a family member.*
- › Over 92% of mobility service technicians voted BraunAbility as the Most Trusted Name in Mobility.*
- › When it comes to overall product quality, 86% of mobility service technicians agreed that BraunAbility leads the mobility industry.*

*Based on Dealer Service Technician Study

ROLL WITH US:



800.488.0359 | braunability.com

© 2021 BraunAbility. All rights reserved. All illustrations, descriptions and specifications in this brochure are based on the latest product information at the time of publication. BraunAbility reserves the right to make changes at any time without notice. 513686

DON'T JUST GET THERE. ARRIVE.

Chevrolet Traverse

Wheelchair Accessible SUV by BraunAbility®



**MOST SPACIOUS ACCESSIBLE
SUV IN THE INDUSTRY!**

The all-new BraunAbility Chevrolet Traverse blends the rugged style and swagger of an SUV with the space and maneuverability of a wheelchair accessible minivan.





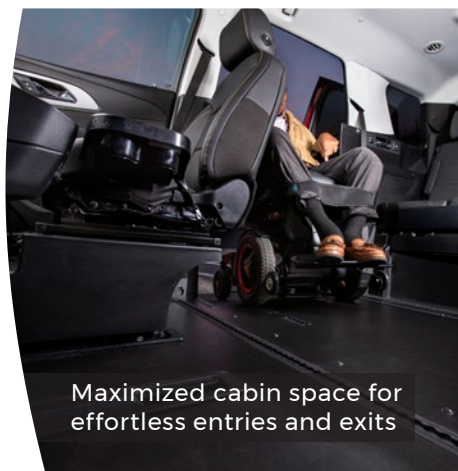
BRAUNABILITY® POWER INFLOOR BUILT ON THE CHEVROLET TRAVERSE

Built for the wheelchair passenger and driver, the BraunAbility Traverse is the ultimate wheelchair accessible SUV, expertly engineered and fully-powered with plenty of room for friends, family and fun.

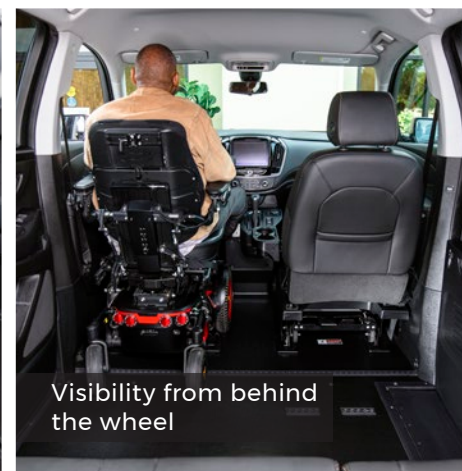
- Most spacious accessible SUV in the industry
- Power infloor ramp stows beneath the vehicle's floor, maximizing cabin space
- 1,000 lb, heavy-duty ramp capacity
- Spacious cabin for effortless maneuvering
- Drive from your wheelchair or the driver's seat (transfer seat capable)
- Ramp and doorway accommodates even the largest power chairs
- Lighted ramp for easy navigating in the dark
- Seats three 3rd row passengers comfortably
- Seats up to 7 passengers, with an option for 4 wheelchairs (seating options may vary depending on available payload)



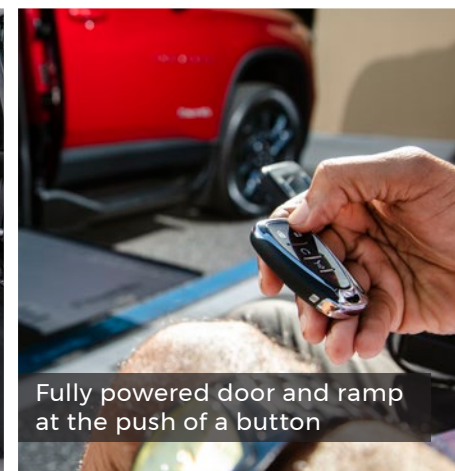
Extra-wide ramp and doorway width to fit even the largest power wheelchairs



Maximized cabin space for effortless entries and exits



Visibility from behind the wheel



Fully powered door and ramp at the push of a button



SPACIOUS STYLE

Mr. Barnes is a husband, a father, a grandfather and a veteran. At over six feet tall, he needs a vehicle with plenty of room to travel in comfort and style. That's what he gets with the BraunAbility Traverse - the space and swagger to keep him smiling.

 BraunAbility®

A PREMIUM ACCESSIBLE SUV WITH ROOM FOR YOU AND ALL YOUR GEAR

ROOM FOR WHAT MATTERS

Room for you and all you want to do - the BraunAbility Traverse is equipped with all the space and storage you need to live a life on the go.



STEP-AND-ROLL SEATING makes it easy to remove front seats for added seating flexibility and room for up to four wheelchairs.



LIGHTED RAMP for easier navigating in darkness.



REAR BENCH SEAT folds flat for extra cargo space.



SLIDING SHIFTER slides side-to-side for extra space when you need it.



HIDDEN CONSOLE for extra storage and extra USB ports.



OPTIONAL TOWING PACKAGE



SMILES FOR MILES

Between work and school drop-offs, the Carstens family is always on the go.

They need room for two busy daughters, whether the day calls for a wheelchair or a walker or both. No need to lift or lower a ramp -- the Carstens have an accessible SUV that opens at the push of a button. They get all that and more with the BraunAbility Traverse.



Room for two wheelchair users in the mid-row



BraunAbility has engineered independence to the highest standards for nearly 50 years. When considering a mobility vehicle, remember what you can't see matters. A solid foundation with no shortcuts - that's the BraunAbility way.

Industry's Only Fully Stainless Steel Exhaust System - Prevents rust and corrosion. Secured and reinforced for function and service. Protected and mounted as far from the ground as possible for less exposure to everyday impacts.

Custom-Made Fuel Lines and Hoses - New lines made to fit the wheelchair accessible floor with mating connections to fit the original manufacturer's vehicle. Designed for maximum safety and performance over the total life of your vehicle.

State-of-the-Art Brake Line System - New brake lines and fittings installed and properly routed for corrosion prevention and reliability.

New Wiring and Connectors - No stretching or retrofitting wires and no cutting corners. New Tier-One sourced wiring harness with factory-original connectors.



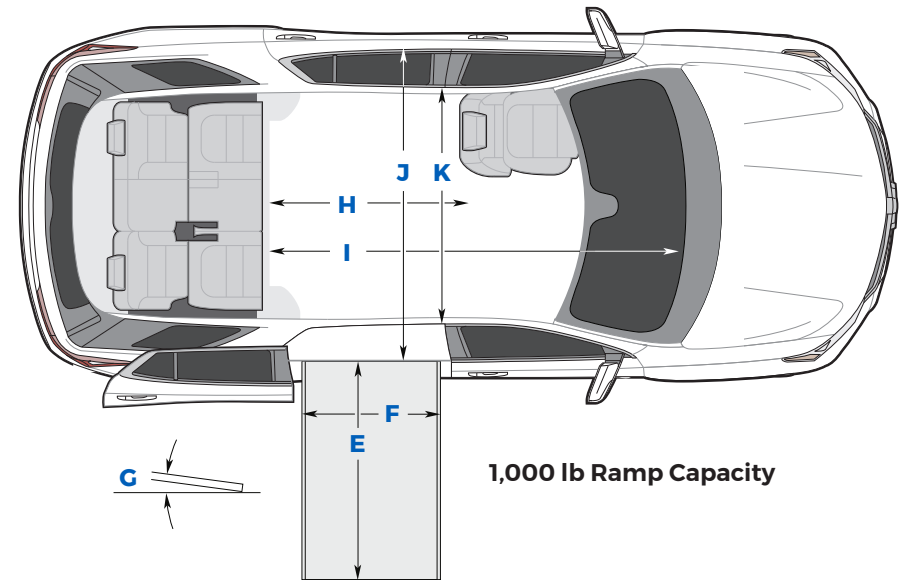
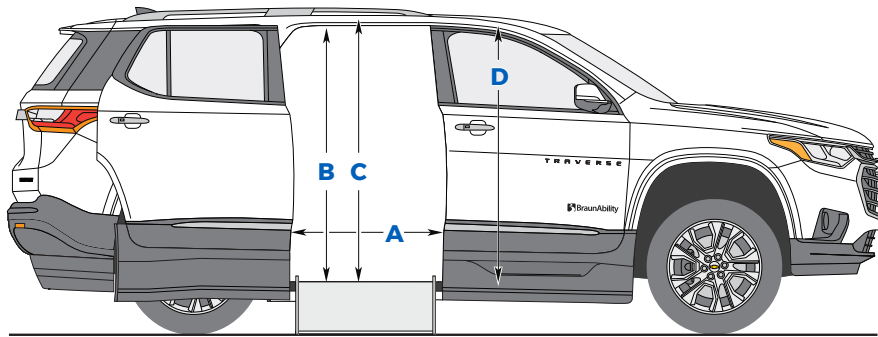
Industry-Leading Safety Standards

BraunAbility is #1 in Safety - the most certified wheelchair accessible vehicle manufacturer in the industry!

Every BraunAbility vehicle is required to pass each of the following tests to ensure our customers' safety: FMVSS 208: Occupant Crash Protection, FMVSS 301: Fuel System Integrity, FMVSS 214: Side Impact Protection

BraunAbility is certified by NMEDEA's Manufacturer Quality Assurance Program (MQAP), guaranteeing the safety and reliability of modified vehicles and mobility equipment.



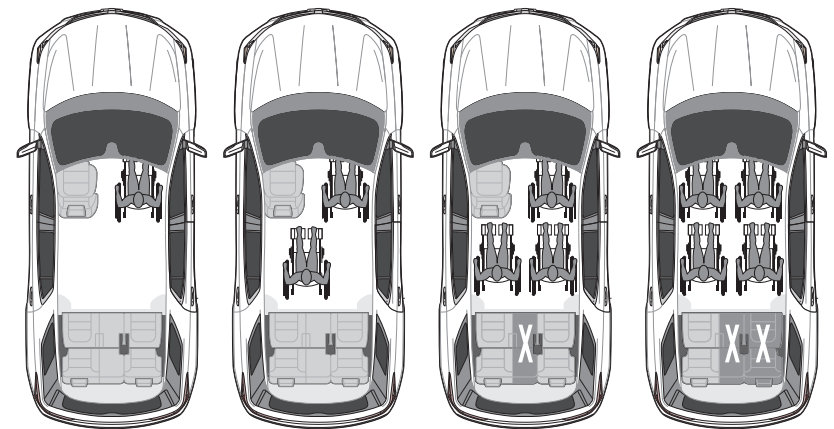


BRAUNABILITY®
POWER INFLOOR
BUILT ON THE CHEVROLET TRAVERSE

DIMENSIONS

All dimensions are for reference only.

Door Opening Usable Width	A	30.5"
Door Opening Usable Height (at Middle of Door)	B	54.5"
Interior Height at Center of Vehicle	C	59"
Interior Height at Driver and Passenger Position*	D	58"
Ramp Length	E	52"
Ramp Width (Usable Clear Opening)	F	30.25"
Ramp Angle (Kneeled)**	G	9°
Interior Floor Length (Behind Front Seat Strikers)	H	57"
Overall Interior Floor Length (Flat Area)	I	90.25"
Interior Width at Passenger Doors (Closed - Open)	J	61.5" - 64.25"
Interior Width at B Pillars	K	57"



Seats up to 7 passengers, with an option for 4 wheelchairs.
 Seating options may vary depending on available payload.

Due to manufacturing tolerances both with the OEM vehicle and the conversion components, all dimensions may vary slightly from those shown.

* Deduct 1" off of interior height for applications with moon roof

** Ramp angle subject to 1.5 degree variance based on chassis trim level and other environmental factors - measured with a 250 lb approximated wheelchair passenger load at the center of the ramp



THE MOST TRUSTED BRAND IN MOBILITY*

BraunAbility is ranked #1 in quality, value and service in the mobility industry.* That's why the professionals at the forefront of helping our customers recommend our products.



- Mobility service technicians choose BraunAbility 8:1 over the next closest competitor as the brand they would buy for a family member.*
- Over 92% of mobility service technicians voted BraunAbility as the Most Trusted Name in Mobility.*
- When it comes to overall product quality, 86% of mobility service technicians agreed that BraunAbility leads the mobility industry.*



**Based on 2016 Dealer Service Technician Study*

800.488.0359 | braunability.com



© 2020 BraunAbility. All rights reserved. All illustrations, descriptions and specifications in this brochure are based on the latest product information at the time of publication. BraunAbility reserves the right to make changes at any time without notice. 511200



ON THE MOVE

Between quad rugby, wheelchair basketball, and representing organizations that keep injured veterans moving and active, Navy Veteran Lindstrom needs a comfortable ride with room for all his essential cargo.

Chrysler Pacifica

Wheelchair Accessible Minivan by BraunAbility®



With four best-in-class options to choose from, you can pick the BraunAbility® Pacifica that's the perfect fit for your family. Discover the vehicle you deserve from the most trusted name in mobility.*

*Based on 2016 Dealer Service Technician Study

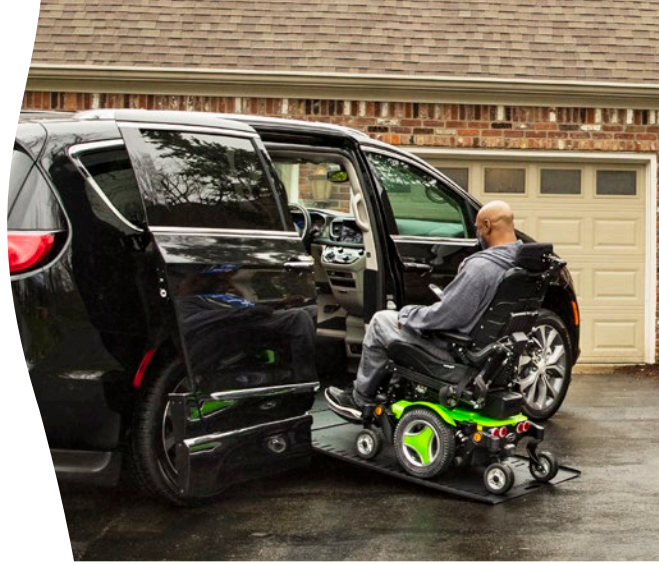


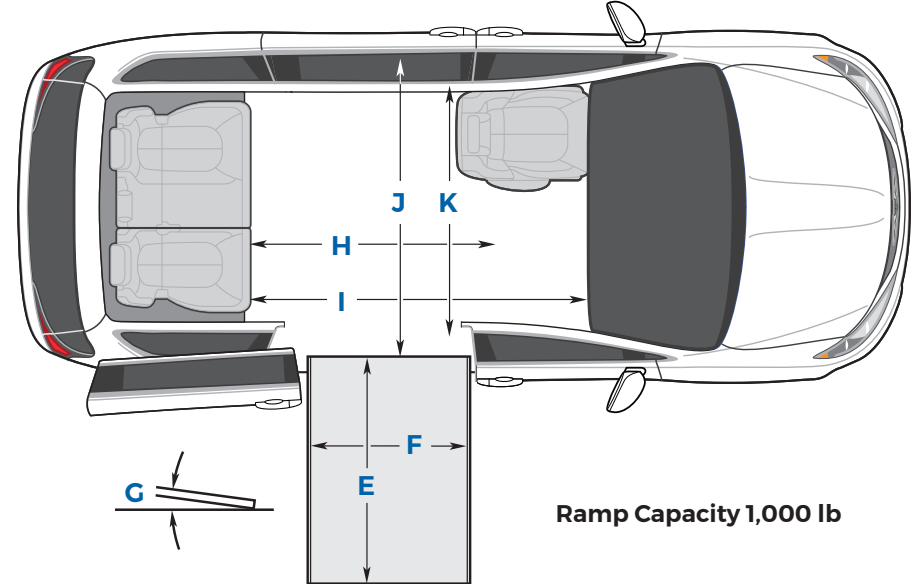
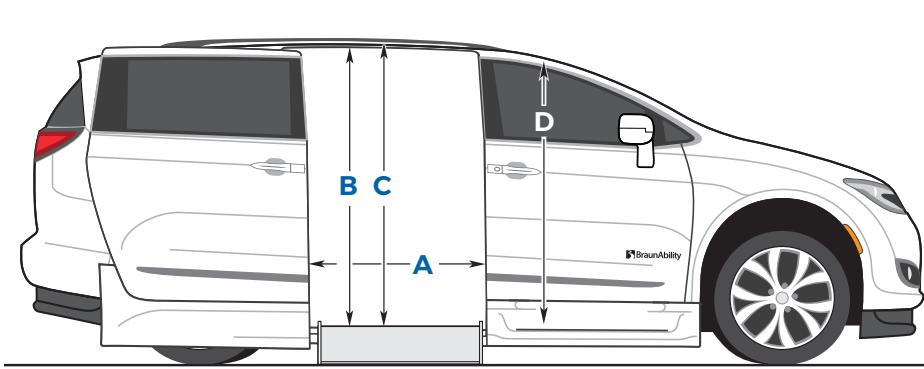


BRAUNABILITY® SIDE-ENTRY POWER INFLOOR BUILT ON THE CHRYSLER PACIFICA

The BraunAbility Pacifica Infloor features patent-pending engineering technology that creates the widest doorway space and ramp of any side-entry vehicle on the market. Pair that with best-in-class interior cabin space, and you have the ultimate in mobility maneuverability.

- Best-in-class interior maneuverability
- Extra-wide ramp and doorway
- 55-inch doorway height
- Full-length, foldaway 3rd row footrest
- Soft glow cabin lighting
- Fully automatic door and ramp





Ramp Capacity 1,000 lb

BRAUNABILITY® SIDE-ENTRY POWER INFLOOR BUILT ON THE CHRYSLER PACIFICA

DIMENSIONS

Door Opening Usable Width	A	33.5"
Door Opening Usable Height (at Middle of Door)	B	55"
Interior Height at Center of Van	C	58"
Interior Height at Driver/Passenger Position*	D	58"
Ramp Length	E	51.25"
Ramp Width (Usable Clear Opening)	F	32.25"
Ramp Angle** (with Vehicle Kneeled)	G	9.9°
Interior Floor Length (Behind Front Seat Strikers)	H	71"
Overall Interior Floor Length (Flat Area)	I	98.5"
Interior Width at Slide Doors (Door Closed)	J	68"
Interior Width at B Pillars	K	59.75"

All dimensions are for reference only.

Due to manufacturing tolerances both with the OEM vehicle and the conversion components, all dimensions may vary slightly from those shown.

* Deduct 1" off of Interior Height for Applications with Moon Roof

** Ramp angle subject to 1.5 degree variance based on chassis trim level and other environmental factors - measured with a 250 lb approximated wheelchair passenger load at the center of the ramp



Infloor Ramp

With a ramp angle of 9.9° and a smooth transition plate, the BraunAbility infloor ramp makes entering and exiting effortless.



FOLDOUT



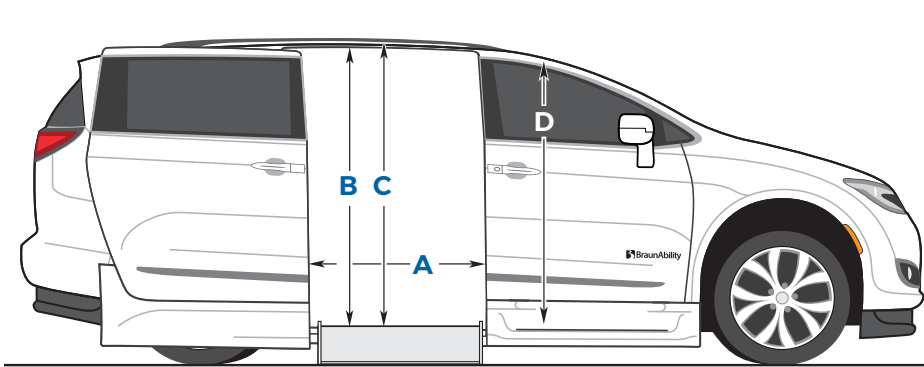
FOLDOUT XT

BRAUNABILITY® SIDE-ENTRY POWER FOLDOUT & XT BUILT ON THE CHRYSLER PACIFICA

The BraunAbility Pacifica Foldout and Foldout XT both offer industry-leading interior space but with different doorway and interior heights to accommodate shorter and taller wheelchair users.

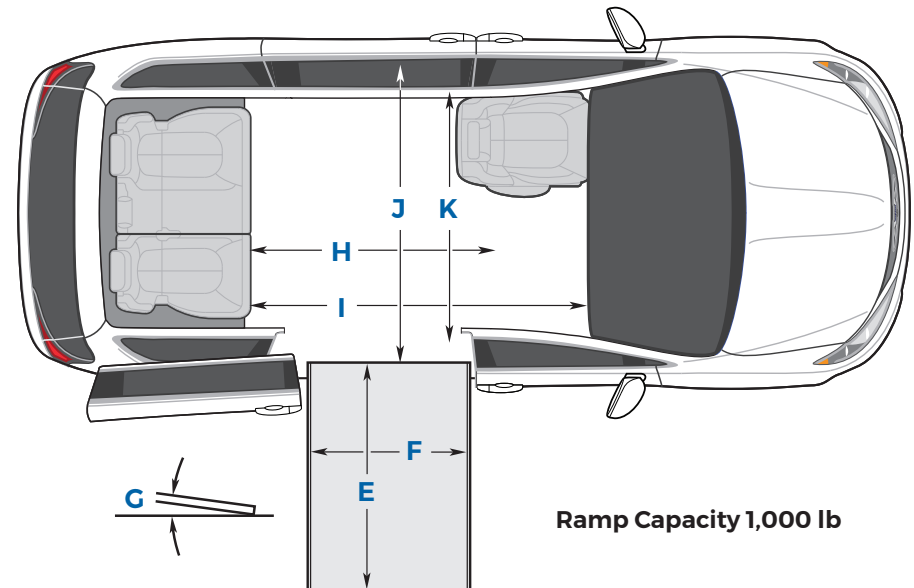
- Best-in-class interior maneuverability
- 53" and 57" doorway height options
- Full-length, foldaway 3rd row footrest
- Soft glow cabin lighting
- Fully automatic door and ramp





Find Your Foldout Fit

The Pacifica Foldout XT gives extra doorway height for wheelchair users who sit taller in their chairs, while the Pacifica Foldout is ideal for those who sit lower in their chairs.



Ramp Capacity 1,000 lb

BRAUNABILITY® SIDE-ENTRY POWER FOLDOUT & FOLDOUT XT BUILT ON THE CHRYSLER PACIFICA

DIMENSIONS

All dimensions are for reference only.

Door Opening Usable Width	A	32.375"
Door Opening Usable Height (at Middle of Door)	B	53" (57" XT)
Interior Height at Center of Van	C	56" (60" XT)
Interior Height at Driver/Passenger Position*	D	56" (60" XT)
Ramp Length	E	52"
Ramp Width (Usable Clear Opening)	F	30.125"
Ramp Angle** (with Vehicle Kneeled)	G	9.1° (8.6° XT)
Interior Floor Length (Behind Front Seat Strikers)	H	71"
Overall Interior Floor Length (Flat Area)	I	98.5"
Interior Width at Slide Doors (Door Closed)	J	64"
Interior Width at B Pillars	K	62.25"

Due to manufacturing tolerances both with the OEM vehicle and the conversion components, all dimensions may vary slightly from those shown.

* Deduct 1" off of Interior Height for Applications with Moon Roof

** Ramp angle subject to 1.5 degree variance based on chassis trim level and other environmental factors - measured with a 250 lb approximated wheelchair passenger load at the center of the ramp



Heavy-Duty Foldout Ramp

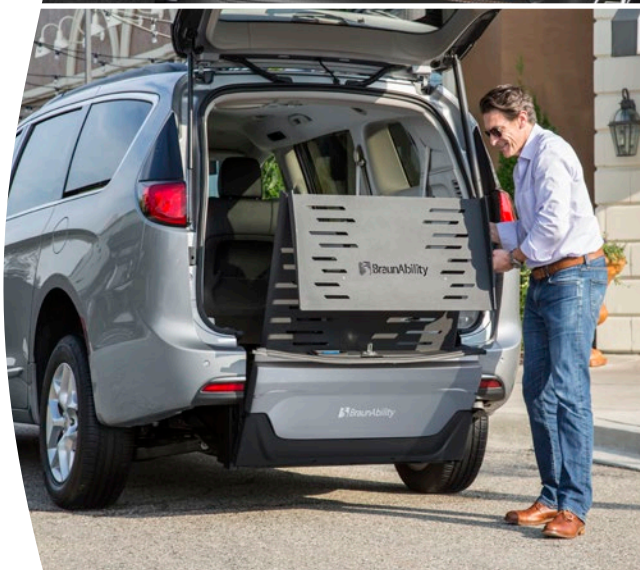
With a 1000 lb. ramp capacity, this ultra-strong foldout ramp can also deploy onto curbs for added parking convenience.

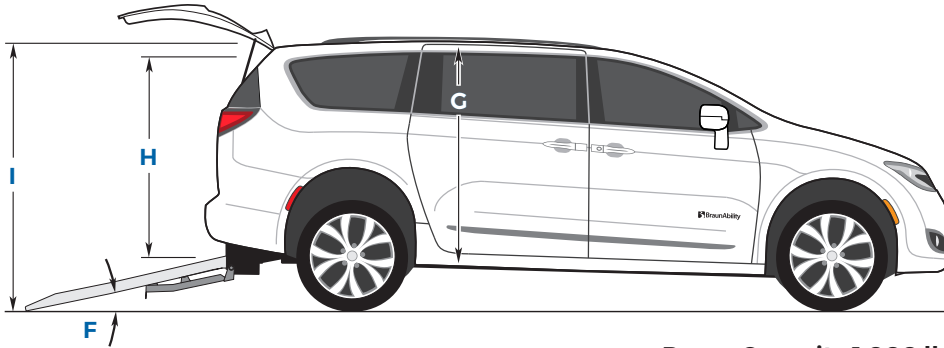


BRAUNABILITY® REAR-ENTRY MANUAL BUILT ON THE CHRYSLER PACIFICA

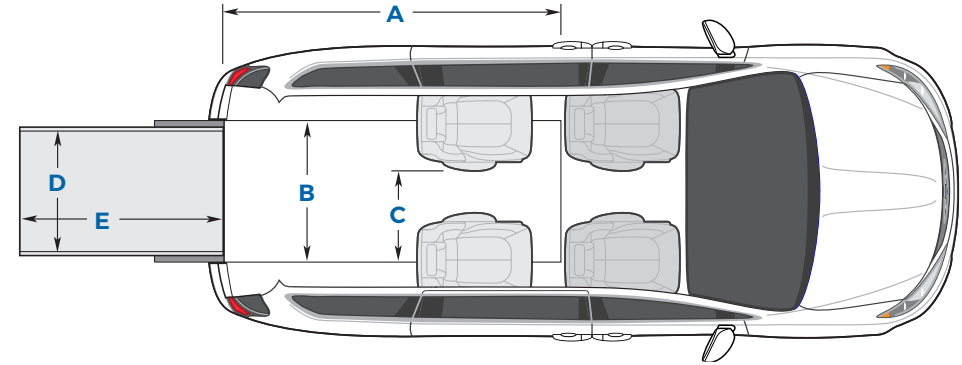
The BraunAbility Pacifica Rear-Entry offers premium quality and value, all with the reliability you expect from BraunAbility. It also has the widest ramp and tallest entrance, allowing plenty of room for even the largest wheelchairs or scooters.

- 56" entrance height
- 34" ramp width - industry-leading!
- Flexible seating positions for wheelchair passenger
- Two-lock securement system prevents ramp rattle
- Lightweight, easy-to-operate manual ramp





Ramp Capacity 1,000 lb



BRAUNABILITY®
REAR-ENTRY MANUAL
BUILT ON THE CHRYSLER PACIFICA

DIMENSIONS

All dimensions are for reference only.

Lowered Floor Length	A	98"
Lowered Floor Width	B	34.5"
Distance Between Seats (1 Folded Up)	C	25.5"
Ramp Width (Usable Clear Opening)	D	34"
Ramp Length (Manual Foldout)	E	60"
Ramp Angle*	F	10°
2nd Row Wheelchair Location Interior Height	G	56"
Entrance Height	H	56"
Overall Height (Hatch Closed)	I	75"

Due to manufacturing tolerances both with the OEM vehicle and the conversion components, all dimensions may vary slightly from those shown.

* Ramp angle subject to 1.5 degree variance based on chassis trim level and other environmental factors - measured with a 250 lb approximated wheelchair passenger load at the center of the ramp



Room to Move

Our most spacious rear-entry wheelchair van, the BraunAbility Pacifica offers 56" of door height and 34.5" interior width, so you have plenty of room to enter and exit.



THE MOST TRUSTED BRAND IN MOBILITY*

BraunAbility is ranked #1 in quality, value and service in the mobility industry.* That's why the professionals at the forefront of helping our customers recommend our products.



- Mobility service technicians choose BraunAbility 8:1 over the next closest competitor as the brand they would buy for a family member.*
- Over 92% of mobility service technicians voted BraunAbility as the Most Trusted Name in Mobility.*
- When it comes to overall product quality, 86% of mobility service technicians agreed that BraunAbility leads the mobility industry.*

**Based on 2016 Dealer Service Technician Study*

800.488.0359 | braunability.com



Honda Odyssey

Wheelchair Accessible Minivan by BraunAbility®



From its bold exterior lines to its innovative infloor technology, the BraunAbility® Honda Odyssey is guaranteed to look as great as it performs. Discover why BraunAbility is the most recommended brand in mobility.*

*Based on 2016 Dealer Service Technician Study



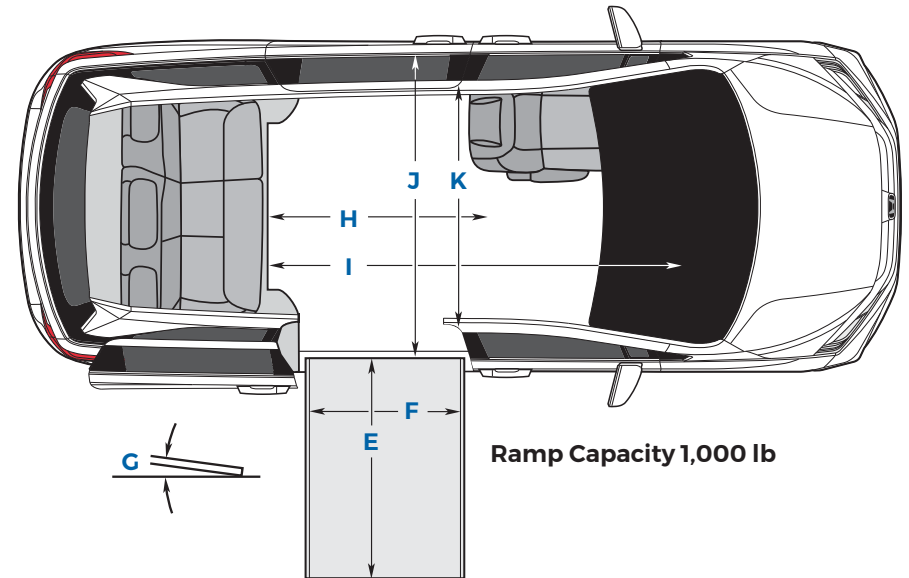
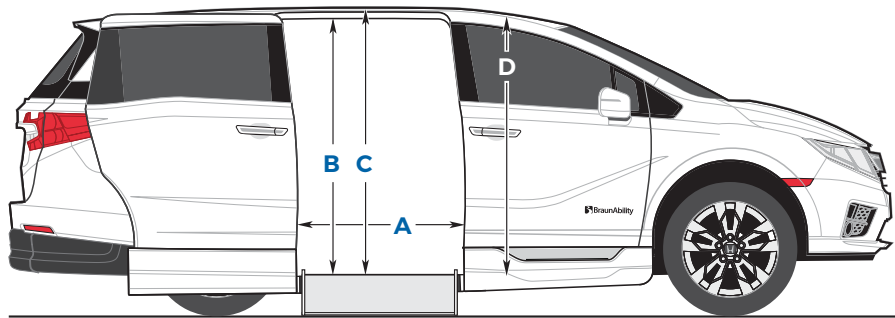


BRAUNABILITY® SIDE-ENTRY POWER INFLOOR BUILT ON THE HONDA ODYSSEY

The BraunAbility Honda Odyssey features innovative infloor ramp technology that stows quietly beneath the floor, out of sight and out of mind until it's needed. The extended cabin provides easy cabin maneuverability for wheelchairs of all sizes.

- Infloor ramp keeps doorway clear for easy passenger entries and exits
- Integrated key fob remote
- Easy-to-remove front seats
- Fold-down, full-length backseat footrest
- Ample rear cargo space
- Interchangeable and removable front seat cupholders





**BRAUNABILITY® SIDE-ENTRY
POWER INFLOOR
BUILT ON THE HONDA ODYSSEY**

DIMENSIONS

All dimensions are for reference only.

Door Opening Usable Width	A	30.25"
Door Opening Usable Height (at Middle of Door)	B	54.5"
Interior Height at Center of Vehicle	C	59.5"
Interior Height at Driver and Passenger Position*	D	58"
Ramp Length	E	52"
Ramp Width (Usable Clear Opening)	F	30.25"
Ramp Angle (with Vehicle Kneeled)**	G	9.2°
Interior Floor Length (Behind Front Seat Strikers)	H	59"
Overall Interior Floor Length (Flat Area)	I	92.5"
Interior Width at Slide Doors (Doors Closed)	J	71"
Interior Width at B Pillars	K	56"

Due to manufacturing tolerances both with the OEM vehicle and the conversion components, all dimensions may vary slightly from those shown.

* Deduct 1" off of interior height for applications with moon roof

** Ramp angle subject to 1.5 degree variance based on chassis trim level and other environmental factors - measured with a 250 lb approximated wheelchair passenger load at the center of the ramp





THE MOST TRUSTED BRAND IN MOBILITY*

BraunAbility is ranked #1 in quality, value and service in the mobility industry.* That's why the professionals at the forefront of helping our customers recommend our products.



- Mobility service technicians choose BraunAbility 8:1 over the next closest competitor as the brand they would buy for a family member.*
- Over 92% of mobility service technicians voted BraunAbility as the Most Trusted Name in Mobility.*
- When it comes to overall product quality, 86% of mobility service technicians agreed that BraunAbility leads the mobility industry.*

**Based on 2016 Dealer Service Technician Study*



800.488.0359 | braunability.com



Turny® Evo



The BraunAbility® Turny® Evo - a vehicle seat that swivels and lowers for easy, safe transfers in and out of your vehicle for you or your loved one.



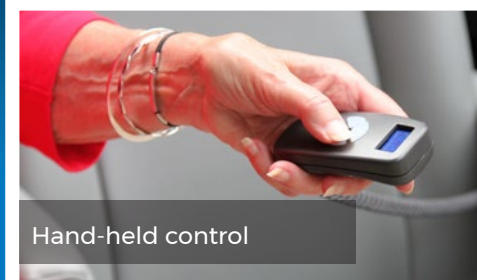
SIMPLE, SAFE, RELIABLE MAINTAIN YOUR LIFESTYLE WITHOUT WORRY OR STRAIN

Enjoy every journey without the fear of a fall or injury. The BraunAbility® Turny® Evo rotating seat lift makes getting in and out of tall vehicles easy and safe. This worry-free solution is an ideal alternative for anyone with limited mobility or wheelchair users who are looking for easier transfers in and out of a vehicle.

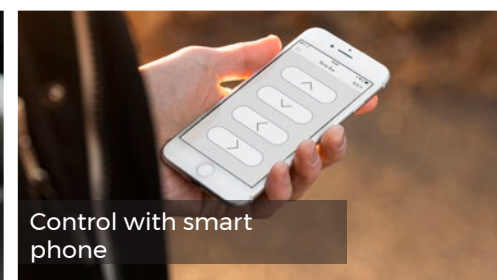
Turny® Evo Features:

- Fully powered: rotates, extends, moves up/down
- Full recline with levers on both sides of seat
- Power forward/backward
- One-button operation via hand-held control or smart phone app
- Integrated flip-up footrest
- Ultra-quiet operation
- Travel time takes 35-65 seconds depending on seating position and vehicle application
- Original seat is removed and unmodified; easily reinstalled
- Manual backup system for peace of mind
- Eligible for applicable automotive manufacturer rebates
- 3-year limited warranty (3 year parts/1 year labor)
- OEM seat application available on select chassis types – contact your BraunAbility dealer for more information

**FITS OVER
200 VEHICLES!**



Hand-held control



Control with smart phone



BEST-IN-CLASS SAFETY STANDARDS – NO WEAR AND TEAR AFTER 10,000 CYCLES!

TURNY® EVO SEAT TECHNICAL SPECIFICATIONS

- **Weight Capacity:** 370 lbs
- **Position:** Driver or passenger side
- **Location:** First or second row
- **Vehicle Types:** Full-size vans, pickup trucks, most SUVs and minivans. Fits over 200 vehicles.

SEAT MATERIAL OPTIONS

Standard:
Textured
Faux Leather†
(provides additional grip and stability for those with compromised core strength)

Upgrade:
Smooth Faux
Leather†
(sophisticated look makes transfers easy and effortless; comes standard with adjustable lumbar support)



Scratch-resistant, easy-to-clean material

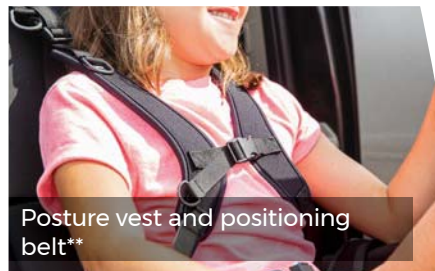
†See material swatches for accurate color representation



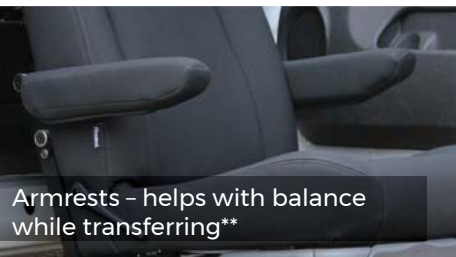
Strain-free transfers of children with special needs



OEM seat functionality available on select chassis*



Posture vest and positioning belt**



Armrests – helps with balance while transferring**



Child seat latch kit**



Heated seat**

* See your dealer to learn more ** Optional feature



THE MOST TRUSTED BRAND IN MOBILITY*

BraunAbility is ranked #1 in quality, value and service in the mobility industry.* That's why the professionals at the forefront of helping our customers recommend our products.



- Mobility service technicians choose BraunAbility 8:1 over the next closest competitor as the brand they would buy for a family member.*
- Over 92% of mobility service technicians voted BraunAbility as the Most Trusted Name in Mobility.*
- When it comes to overall product quality, 86% of mobility service technicians agreed that BraunAbility leads the mobility industry.*

**Based on 2016 Dealer Service Technician Study*

800.488.0359 | braunability.com

